



## QUICK SPECS

Weight	2,348 lbs
Horsepower	10.3 hp
Digging Depth	5'4"

**Works effortlessly in virtually any narrow, tight, cramped space.**



## SV08-1B

POWERFUL, EFFICIENT  
10.3-HP TIER 4 FINAL  
YANMAR DIESEL ENGINE

TWO-WAY CONTROL  
PATTERN CHANGE

STANDARD AUXILIARY  
HYDRAULICS W/  
PROPORTIONAL  
CONTROL STANDARD

VARIABLE  
UNDERCARRIAGE  
IMPROVES STABILITY

OPERATOR-FRIENDLY,  
UNCOMPLICATED LEVER  
CONTROLS

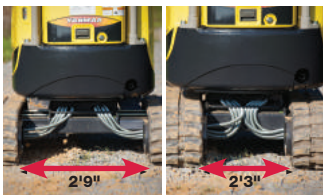
COMFORTABLE  
OPERATOR SEAT

COVERED BOOM  
CYLINDERS AND  
HYDRAULIC HOSES

ENGINE WARMING  
INDICATOR LAMP

Our smallest excavator sets the standard for efficient work in confined spaces. A tenacious worker, the SV08-1B is unfazed by housing foundations, indoor renovation, pipe-laying, landscaping and other challenges in hard-to-reach places. Adjustable width tracks let you maneuver through gaps as narrow as 2ft - 3in, and a variable undercarriage lets you work safely on slopes or steps. Plus, the powerful, 10.3-hp, Tier 4 Final engine is environmentally friendly with clean exhaust and very low noise.

## INNOVATIVE FEATURES



### Adjustable Width Tracks To Squeeze Almost Anywhere

The track width of the SV08-1B narrows to 2ft-3in (680 mm) to fit through narrow passages, and expands to 2ft-9in (840 mm) for stability while working. In addition, the super compact body features an ultra-tight turning radius of 2ft-5in (725 mm), and keeps rear overhang to just 1 ft. (305 mm).



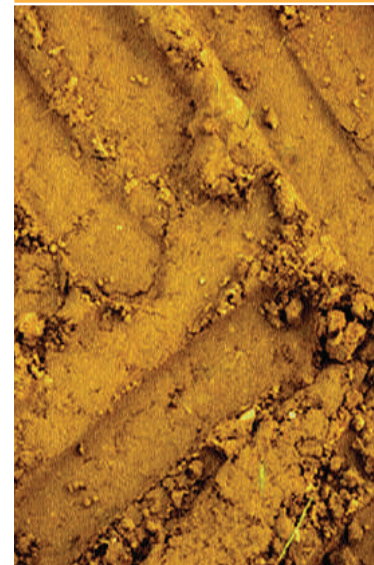
### Easy Accessibility For Routine Maintenance

The engine is conveniently located right under the operator's seat. Simply lift up and fold back the seat for quick, easy access to all major components. Routine maintenance is always a breeze.

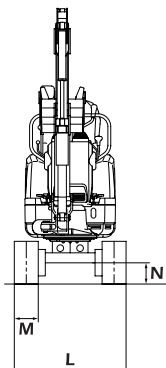
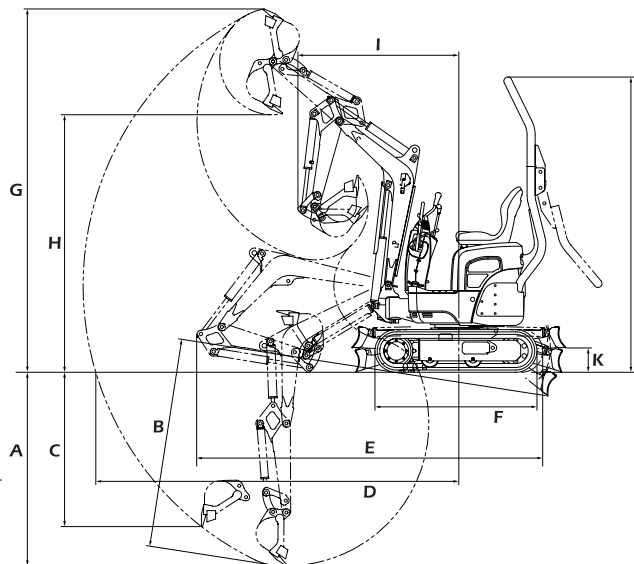
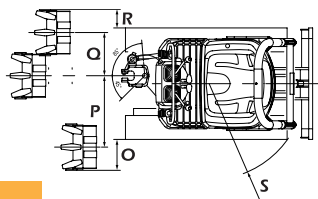


### Foldable ROPS

The durable, foldable ROPS system helps protect the operator from injury and folds down to allow passage through spaces as tight as a standard doorway.



# SV08-1B



## Dimensions - SV08-1B

<b>A</b> 4'7"-4'11" (1400-1500)	<b>K</b> 7'-11" (180-280)
<b>B</b> 5'-5'4" (1520-1620)	<b>L</b> 2'3"-2'9" (680-840)
<b>C</b> 3'10"-4'2" (1160-1260)	<b>M</b> 7" (180)
<b>D</b> 8'10"-8'11" (2700-2730)	<b>N</b> 5" (130)
<b>E</b> 8'6" (2600)	<b>O</b> 9'-1" (230-310)
<b>F</b> 4" (1220)	<b>P</b> 1'9" (540)
<b>G</b> 9'-9'4" (2750-2850)	<b>Q</b> 1'1" (330)
<b>H</b> 6'5"-6'9" (1950-2050)	<b>R</b> 6'-9" (140-220)
<b>I</b> 3'10" (1180)	<b>S</b> 2'5" (725)
<b>J</b> 7'3"-7'7" (2200-2300)	

## Specifications

Model			SV08-1B
<b>Operating Weight</b>	Rubber track	lbs (kg)	2348 (1065)
	Engine	Type	Water-cooled 2-cylinder diesel
<b>Engine</b>	Model		YANMAR 2TE67L-BV4
	Output	HP (kW)/rpm	10.3 (7.7) / 2800
	<b>Performance</b>	Max Digging Force, Bucket / Arm	lbs (kN)
Traveling Speed		MPH (km / h)	1.2 (1.8)
Swing Speed		RPM	8.4
Boom Swing Angle, (L / R)		degrees	45°/90°
<b>Ground Contact Pressure (Rubber Track)</b>		PSI (kPa)	4.15 (28.4)
<b>Hydraulic System</b>	Pump Capacity	GPM (L / min)	2.59 (9.7) x 2
	Main Relief Set Pressure	PSI (MPa)	2625 (18.1) x 2
<b>Blade Dimensions</b>	Width x height	ft-in (mm)	2'3"2'9" x 7" (680/840 x 180)
<b>Fuel tank capacity</b>		Gals (L)	2.6(10)

## Standard Equipment

- Blade
- Boom Swing Function
- Rubber Tracks
- Variable Undercarriage
- Auxiliary Valve and Piping (boom end)
- Double Acting PTO
- 2-way Control Pattern Change
- Cylinder Cover (boom, blade)
- Foldable ROPS
- Standard Seat
- Seat Belt
- Operation Manual
- Engine Warning Indicator

Please note that the standard equipment may vary from this list. Consult your Yanmar dealer for confirmation.

## Hydraulic PTO

Model	SV08-1B	
	Output	PSI (MPa)
Specification		GPM (L / min)
		2400RPM
<b>Combined Flow, Double Actions</b>	2625 (18.1)	5.2 (19.6)

## Lifting Capacity

LIFT POINT HEIGHT h:in (mm)	r:REACH in (mm)											
	RATED LIFT CAPACITY OVER END BLADE DOWN lbs (kg)				RATED LIFT CAPACITY OVER END BLADE UP lbs (kg)				RATED LIFT CAPACITY OVER SIDE BLADE DOWN lbs (kg)			
	MAX	6'7" (2000)	4'11" (1500)	MIN	MAX	6'7" (2000)	4'11" (1500)	MIN	MAX	6'7" (2000)	4'11" (1500)	MIN
6'7" (2000)	*485(220)				419(190)					353(160)		
4'11" (1500)	*485(220)	*485(220)	*595(270)		331(150)	375(170)	*529(240)			265(120)	331(150)	441(200)
3'3" (500)	*507(230)	*573(260)	*772(350)	*1080(490)	287(130)	375(170)	617(280)	838(380)	243(110)	309(140)	507(230)	662(300)
1'8" (500)	*529(240)	*662(300)	*1036(470)	*1301(590)	287(130)	375(170)	573(260)	706(320)	221(100)	287(130)	463(210)	573(260)
Ground (0)	*529(240)	*706(320)	*1058(480)	*1389(630)	309(140)	375(170)	573(260)	750(340)	243(110)	287(130)	463(210)	595(270)
-1'8" (-500)	*573(260)	*617(280)	*948(430)		375(170)	353(160)	595(270)		287(130)	287(130)	463(210)	
-3'3" (-1000)	*507(230)				*507(230)				*463(210)			

Note : The maximum loads marked with an asterisk (\*) were limited by the Excavator's hydraulic lifting capacity rather than by its static tilt load (tipping load) capacity.